

DUAL OPERATIONAL AMPLIFIERS

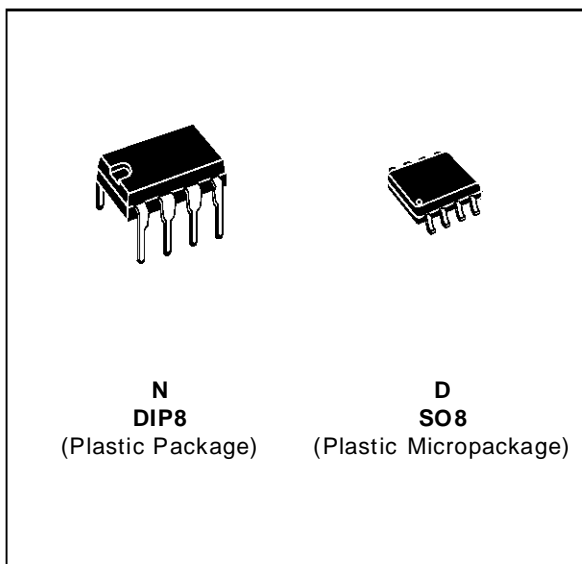
- LOW POWER CONSUMPTION
- LARGE INPUT VOLTAGE RANGE
- NO LATCH-UP
- HIGH GAIN
- SHORT-CIRCUIT PROTECTION
- NO FREQUENCY COMPENSATION REQUIRED

DESCRIPTION

The MC1458 is a high performance monolithic dual operational amplifier constructed on a single silicon chip. It is intended for a wide range of analog applications.

- Summing amplifier
- Voltage follower
- Integrator
- Active filter
- Function generator

The high gain and wide range of operating voltages provide superior performance in integrator, summing amplifier, and general feed back applications.

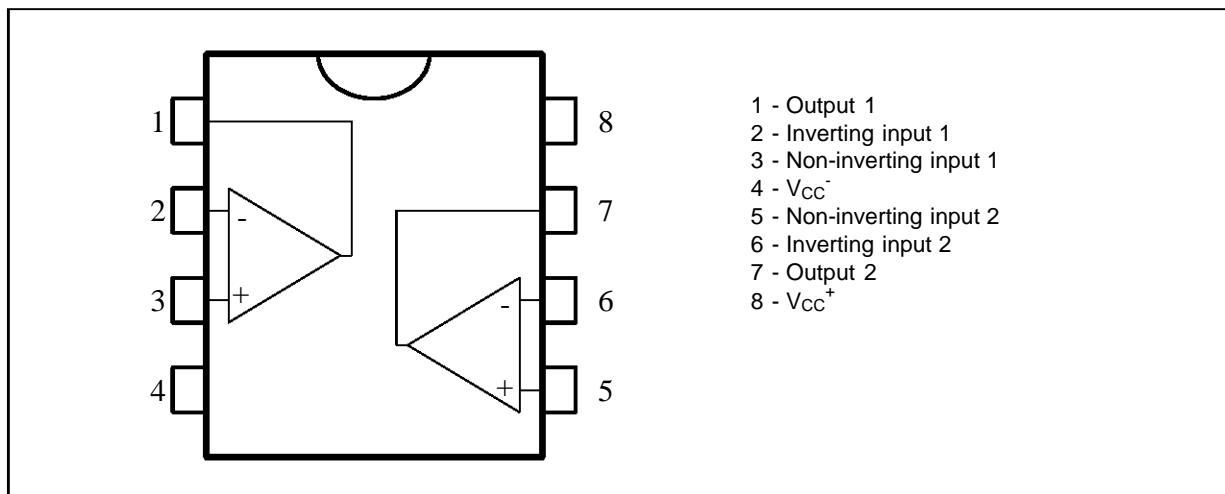


ORDER CODES

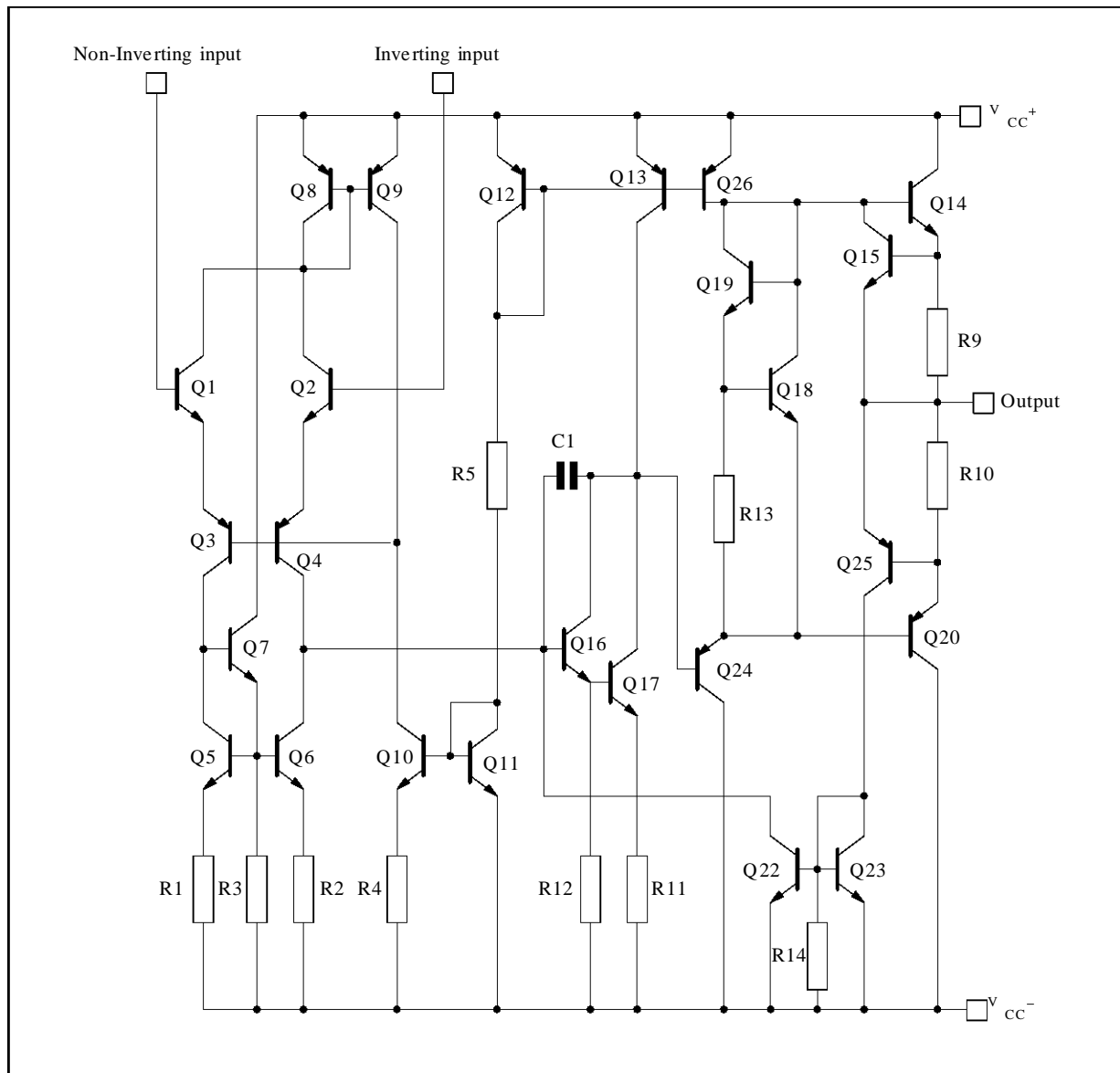
Part Number	Temperature Range	Package	
		N	D
MC1458	0, +70°C	•	•
MC1458I	-40, +105°C	•	•
MC1558	-55, +125°C	•	•
Example : MC1458H			

1458-01.TEL

PIN CONNECTIONS (top view)



SCHEMATIC DIAGRAM



1458-03.EPS

ABSOLUTE MAXIMUM RATINGS

Symbol	Parameter	MC1458	MC1458I	MC1558	Unit
V _{CC}	Supply Voltage	±22	±22	±22	V
V _i	Input Voltage	±15	±15	±15	V
V _{id}	Differential Input Voltage	±30	±30	±30	V
P _{tot}	Power Dissipation	D Suffix N Suffix 300 500			mW
	Output Short-circuit Duration	Infinite			
T _{oper}	Operating Free-air Temperature Range	0 to +70	-40 to +105	-55 to +125	°C
T _{stg}	Storage Temperature Range	-65 to +150	-65 to +150	-65 to +150	°C

1458-02.TEL

ELECTRICAL CHARACTERISTICS $V_{CC} = \pm 15V$, $T_{amb} = 25^{\circ}C$, (unless otherwise specified)

Symbol	Parameter	MC1458 - 1458I - 1558			Unit
		Min.	Typ.	Max.	
V_{io}	Input Offset Voltage ($R_S \leq 10k\Omega$) $T_{amb} = 25^{\circ}C$ $T_{min.} \leq T_{amb} \leq T_{max.}$		1	5 6	mV
I_{io}	Input Offset Current $T_{amb} = 25^{\circ}C$ $T_{min.} \leq T_{amb} \leq T_{max.}$		2	200 300	nA
I_{ib}	Input Bias Current $T_{amb} = 25^{\circ}C$ $T_{min.} \leq T_{amb} \leq T_{max.}$		30	500 800	nA
A_{vd}	Large Signal Voltage Gain ($V_O = \pm 10V$, $R_L = 2k\Omega$) $T_{amb} = 25^{\circ}C$ $T_{min.} \leq T_{amb} \leq T_{max.}$	50 25	200		V/mV
SVR	Supply Voltage Rejection Ratio ($R_S \leq 10k\Omega$) $T_{amb} = 25^{\circ}C$ $T_{min.} \leq T_{amb} \leq T_{max.}$	77 77	90		dB
I_{CC}	Supply Current, all Amp, no Load $T_{amb} = 25^{\circ}C$ $T_{min.} \leq T_{amb} \leq T_{max.}$		2.3	5 6	mA
V_{icm}	Input Common Mode Voltage Range $T_{amb} = 25^{\circ}C$ $T_{min.} \leq T_{amb} \leq T_{max.}$	± 12 ± 12			V
CMR	Common-mode Rejection Ratio ($R_S \leq 10k\Omega$) $T_{amb} = 25^{\circ}C$ $T_{min.} \leq T_{amb} \leq T_{max.}$	70 70	90		dB
I_{OS}	Output Short-circuit Current $T_{amb} = 25^{\circ}C$	10	20	35	mA
$\pm V_{OPP}$	Output Voltage Swing $T_{amb} = 25^{\circ}C$ $T_{min.} \leq T_{amb} \leq T_{max.}$	$R_L = 10k\Omega$ 12 $R_L = 2k\Omega$ 10 $R_L = 10k\Omega$ 12 $R_L = 2k\Omega$ 10	14 13		V
SR	Slew Rate ($V_I = \pm 10V$, $R_L = 2k\Omega$, $C_L = 100pF$, $T_{amb} = 25^{\circ}C$, unity gain)	0.2	0.8		V/ μs
t_r	Rise Time ($V_I = 20mV$, $R_L = 2k\Omega$, $C_L = 100pF$, $T_{amb} = 25^{\circ}C$, unity gain)		0.3		μs
K_{OV}	Overshoot ($V_I = 20mV$, $R_L = 2k\Omega$, $C_L = 100pF$, $T_{amb} = 25^{\circ}C$, unity gain)		5		%
R_I	Input Resistance	0.3	2		M Ω
Z_{ic}	Common-mode Input Impedance		200		M Ω
C_I	Input Capacitance		1.4		pF
R_O	Output Resistance		75		Ω
FPB	Full Power Bandwidth ($R_L = 2k\Omega$, $V_O \geq \pm 10V$, $A_{VD} = 1$, THD $\leq 5\%$)		14		KHz
B	Unity Gain Bandwidth ($V_I = 10mV$, $R_L = 2k\Omega$, $C_L = 100pF$, $T_{amb} = 25^{\circ}C$)		1		MHz

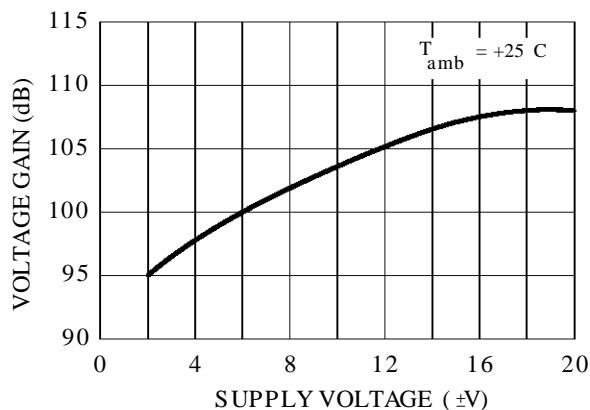
1458-03.TEL

ELECTRICAL CHARACTERISTICS (continued)

Symbol	Parameter	MC1458 - 1458I MC1558			Unit
		Min.	Typ.	Max.	
GBP	Gain Bandwidth Product ($V_I = 10\text{mV}$, $R_L = 2\text{k}\Omega$, $C_L = 100\text{pF}$, $f = 100\text{kHz}$, $T_{\text{amb}} = 25^\circ\text{C}$)	0.4	1		MHz
THD	Total Harmonic Distortion ($f = 1\text{kHz}$, $A_V = 20\text{dB}$, $R_L = 2\text{k}\Omega$, $V_O = 2V_{\text{PP}}$, $C_L = 100\text{pF}$, $T_{\text{amb}} = 25^\circ\text{C}$)		0.02		%
e_n	Equivalent Input Noise Voltage ($f = \text{kHz}$, $R_s = 100\Omega$)		45		$\frac{\text{nV}}{\sqrt{\text{Hz}}}$
ϕ_m	Phase Margin		65		Degrees
Am	Gain Margin		11		dB
V_{O1}/V_{O2}	Channel Separation		120		dB

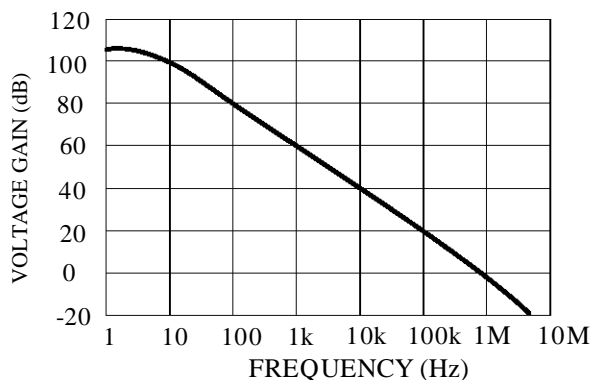
1458-04.TEL

OPEN LOOP VOLTAGE GAIN



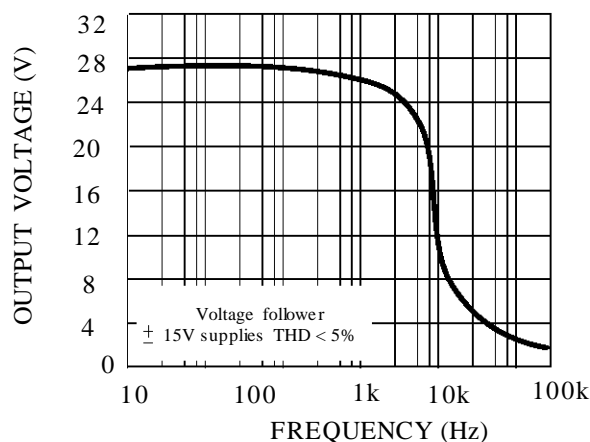
1458-04.EPS

OPEN LOOP FREQUENCY RESPONSE



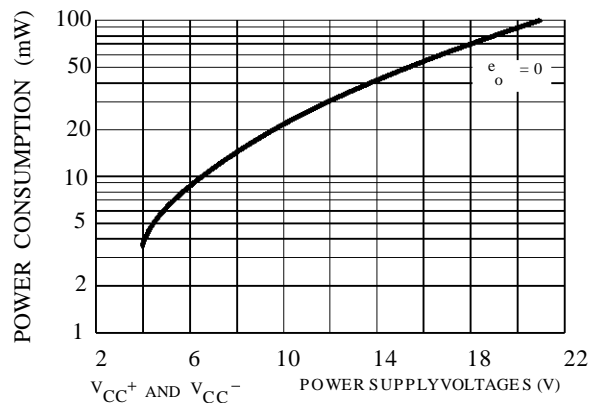
1458-05.EPS

**POWER BANDWIDTH
(LARGE SIGNAL SWING)**

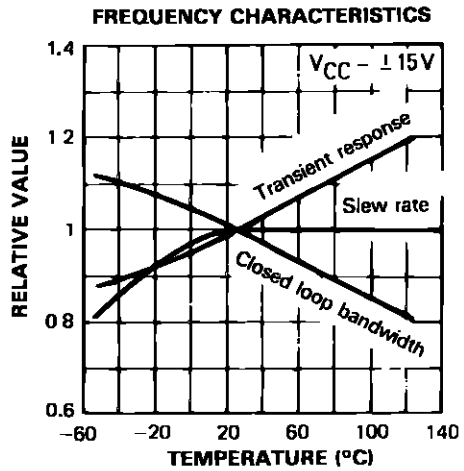
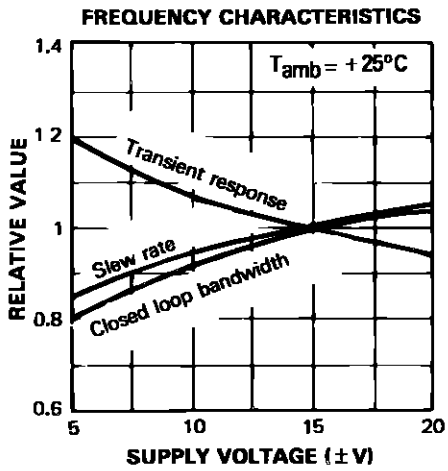
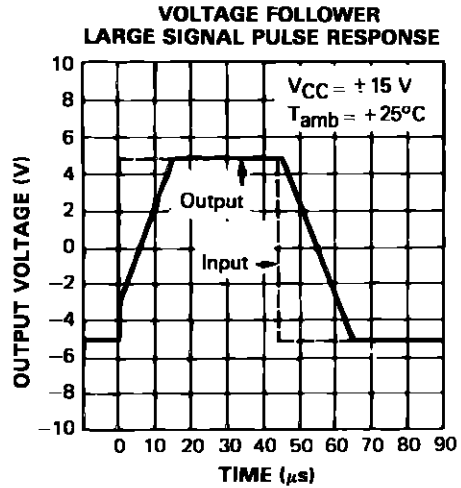
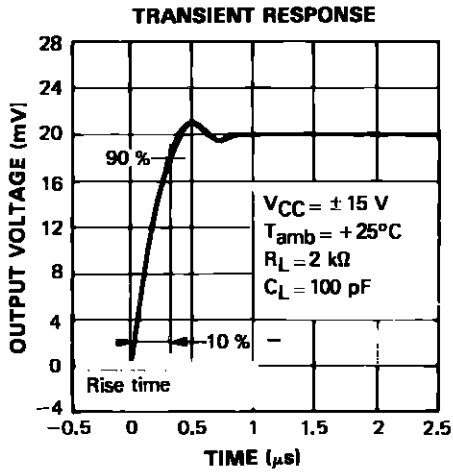
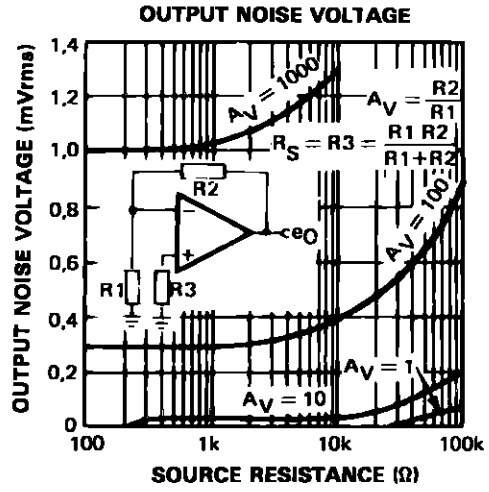
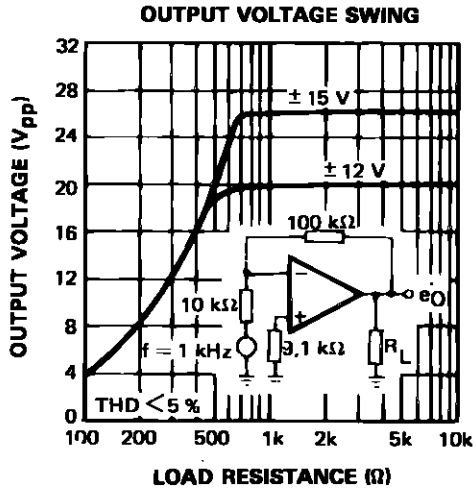


1458-08.EPS

POWER CONSUMPTION



1458-07.EPS

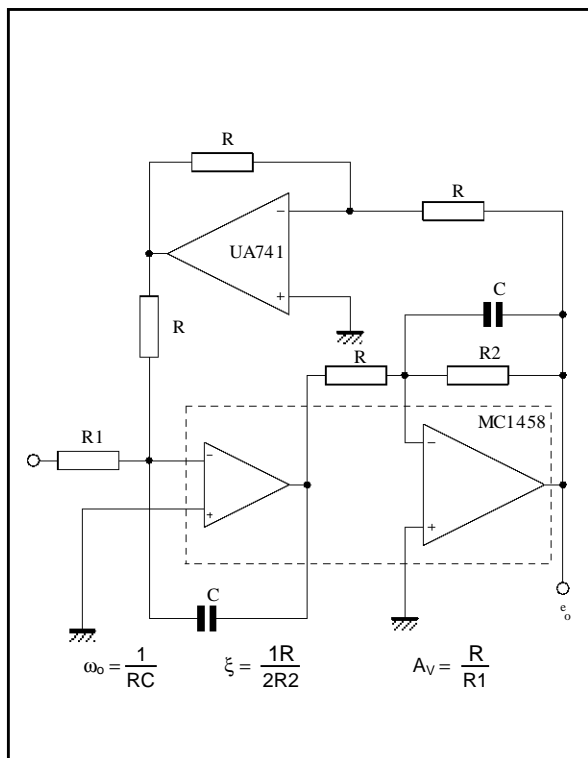


1458-08.EPS

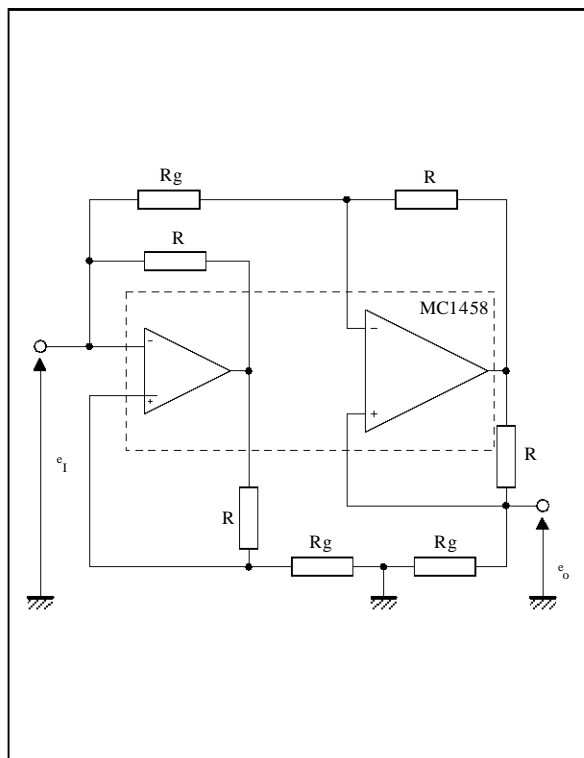
1458-08.EPS

TYPICAL APPLICATIONS

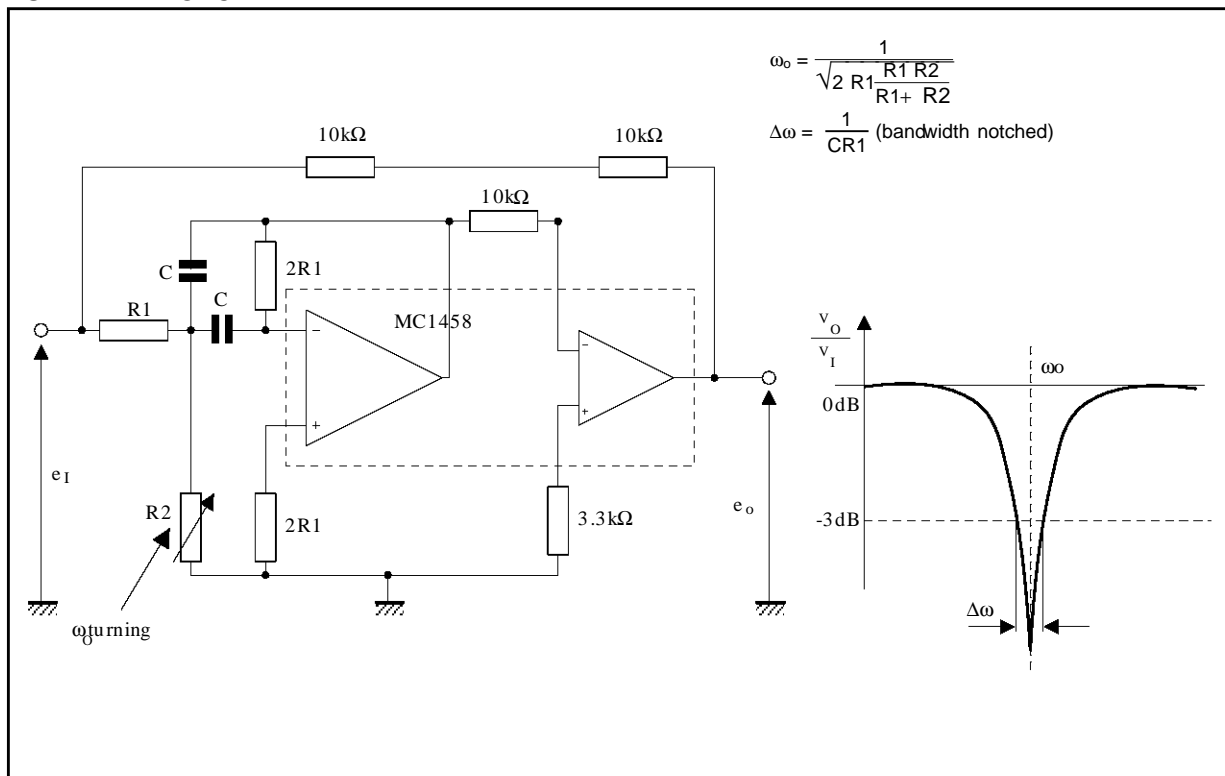
LOW PASS FILTER



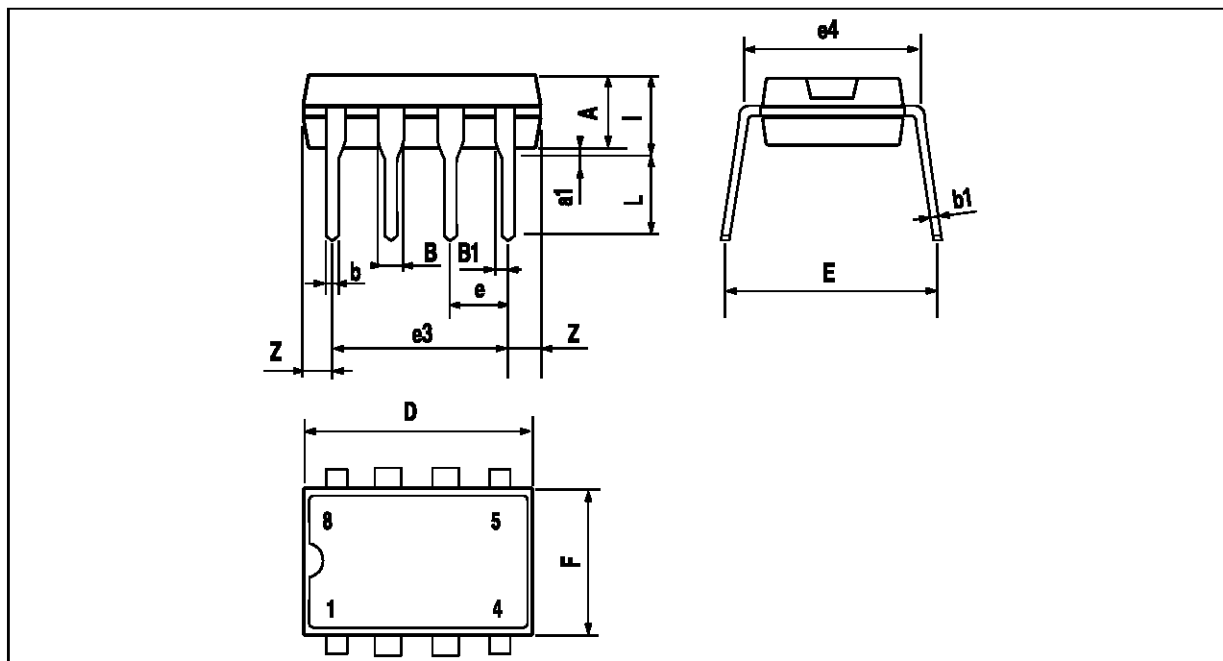
GIRATOR



TURNABLE NOTCH FILTER



PACKAGE MECHANICAL DATA
8 PINS - PLASTIC DIP OR CERDIP

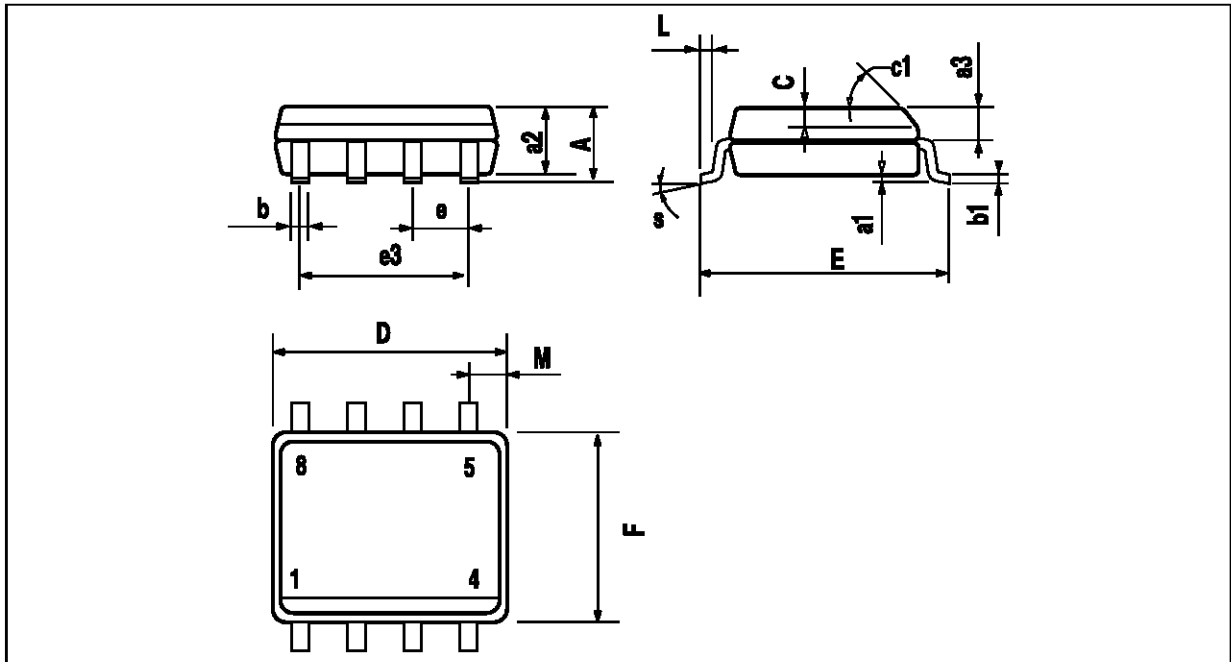


PM-DIP8-EPS

Dimensions	Millimeters			Inches		
	Min.	Typ.	Max.	Min.	Typ.	Max.
A		3.32			0.131	
a1	0.51			0.020		
B	1.15		1.65	0.045		0.065
b	0.356		0.55	0.014		0.022
b1	0.204		0.304	0.008		0.012
D			10.92			0.430
E	7.95		9.75	0.313		0.384
e		2.54			0.100	
e3		7.62			0.300	
e4		7.62			0.300	
F			6.6			0.260
i			5.08			0.200
L	3.18		3.81	0.125		0.150
Z			1.52			0.060

DIP8-TBL

PACKAGE MECHANICAL DATA
8 PINS - PLASTIC MICROPACKAGE (SO)



PM-SOR-EPS

Dimensions	Millimeters			Inches		
	Min.	Typ.	Max.	Min.	Typ.	Max.
A			1.75			0.069
a1	0.1		0.25	0.004		0.010
a2			1.65			0.065
a3	0.65		0.85	0.026		0.033
b	0.35		0.48	0.014		0.019
b1	0.19		0.25	0.007		0.010
C	0.25		0.5	0.010		0.020
c1	45° (typ.)					
D	4.8		5.0	0.189		0.197
E	5.8		6.2	0.228		0.244
e		1.27			0.050	
e3		3.81			0.150	
F	3.8		4.0	0.150		0.157
L	0.4		1.27	0.016		0.050
M			0.6			0.024
S	8° (max.)					

SORTEL

Information furnished is believed to be accurate and reliable. However, SGS-THOMSON Microelectronics assumes no responsibility for the consequences of use of such information nor for any infringement of patents or other rights of third parties which may result from its use. No licence is granted by implication or otherwise under any patent or patent rights of SGS-THOMSON Microelectronics. Specifications mentioned in this publication are subject to change without notice. This publication supersedes and replaces all information previously supplied. SGS-THOMSON Microelectronics products are not authorized for use as critical components in life support devices or systems without express written approval of SGS-THOMSON Microelectronics.

© 1994 SGS-THOMSON Microelectronics - All Rights Reserved

SGS-THOMSON Microelectronics GROUP OF COMPANIES

Australia - Brazil - France - Germany - Hong Kong - Italy - Japan - Korea - Malaysia - Malta - Morocco - The Netherlands
Singapore - Spain - Sweden - Switzerland - Taiwan - Thailand - United Kingdom - U.S.A.

ORDER CODE :